

BALL VALVES

Universal Ball Valves ensures unrestricted straight through flow used widely in industries, namely, chemicals, fertilizers, hydraulic equipments, pharmaceuticals, petrochemicals, refineries and other industrial establishments, in a way, **body** is made of carbon steel chrome plated/ brass SS304/SS316, **ball** of SS304/SS316, **spindle** of SS304/SS316, **seals** made of teflon, **handle** made of aluminium/M.S. with end connections as per requirements, suitable to withstand **working pressures** from 350 psi to 7800 psi. and **temperature** from -40°C to +200°C with proper selection of body and spindle material.

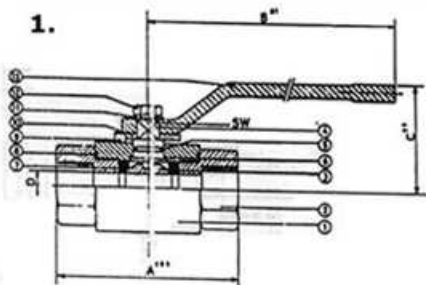
RANGE

- Single piece sq. forged body full bore design.
- Single piece round body full bore design.
- Single piece hex body full bore design.
- 3 way/4 way valve full bore with 'L' or 'T' port design.
- Three piece sq. body full bore design.
- Three piece round body full bore design.
- Sizes : 1/8" (3mm) to 4" (100mm).

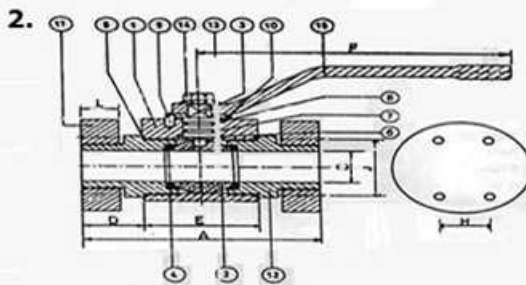
End Connections : BSP/NPT/BSPT flanged to BS/ASA/DIN standards and compression fittings.

Minimum Information Required While Sending Enquiry/Order

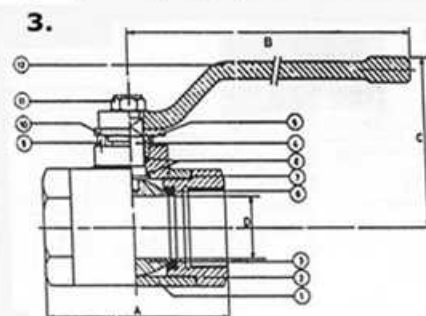
1. Ball valve design i.e. single pc. sq. forged body & so on.
2. Size i.e. 1/4" or 3/4" & so on.
3. Body material i.e. brass or SS304 & so on.
4. Spindle material.
5. Handle material.
6. End connections configuration.
7. Working pressure in psi or kg/cm².
8. Temp. range.
9. Application.
10. Quantity in nos.



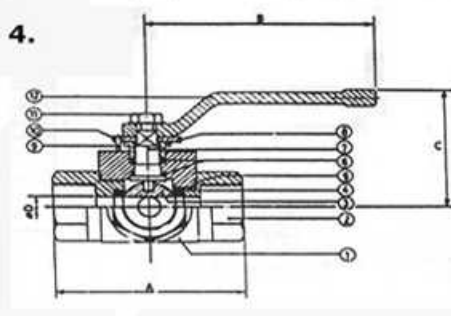
Forged Square Body Single pc Full Bore screwed upto 550 bar



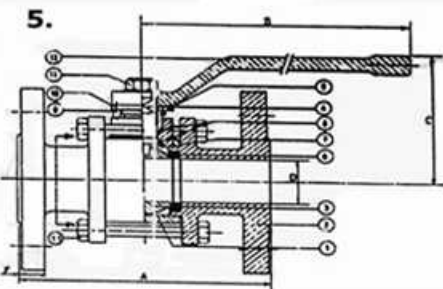
Round Body RegularPort Flanged wp upto 70 bar



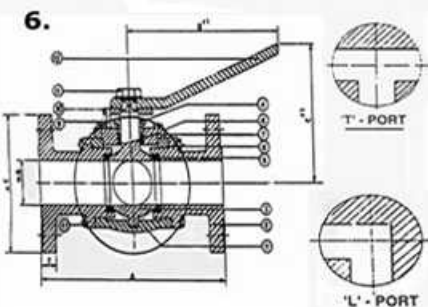
Three Pc Round Body Full Bore screwed upto 70bar



3pc Round Regular Port Flanged wp upto 70bar



BarStock Round RegularPort SS304 screwed wp upto 35 bar



3Way Body Full Bore L or T port wp upto 35 bar



*** Low Operational Torque**

*** Positive Shut-Off Leak Proof**

*** Compact & High Flow Capacity**

*** Scale Formation Eliminated**