

## TYRE COUPLINGS

**Universal** Tyre Couplings ensures high torque transmitting capacity in generators and electric motors in various industrial establishments, in a way, the **tyre material** is made from neoprene/natural/synthetic rubber compounds reinforced with Rayon/Nylon/Polyester Cord to give superior rating & long durability, **bore size** is well matched to attain maximum speed (rpm) ensuring minimum to nil slippage of the flexible element out from the coupling assembly in case of any faulty installation.

### RANGE

- Conventional Type (TC-series)
- Multidirectional Type (F-series)
- New Generation Type (PH-series)
- H.R.C. Type
- Bore sizes : 6mm to 280mm

Speed (rev./min.) : From 500 to 7000 rpm.

### Dimension Details

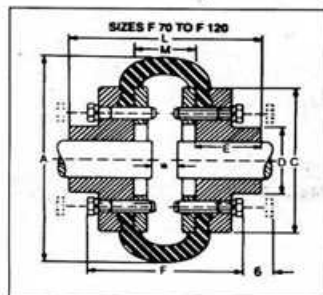
Size	Max. bore mm	Max. speed RPM	Cont. rating HP/100 RPM	Approx. Dimension (mm)				
				Tyre O.D.(A)	Coupling Length (L)	Hub dia (D)	Flange Length (E)	Gap Between Two Flanges (M)
TC/Z/001	9	6000	Nominal	42	54	27	19	16
TC/Z/002	11	6000	Nominal	54	68	38	24	20
TC/Z/003	14	6000	Nominal	70	78	43	27	24
TC/Z/004	18	5500	Nominal	93	74	30	26	22
TC/Y/005	20	6500	0.07	97	74	35	25	24
TC/X/006	22	5500	0.14	105	84	38	32	20
TC/W/007	24	5500	0.21	105	111	43	40	31
TC/V/008	28	5500	0.28	120	95	51	37	21
TC/U/009	32	5500	0.42	135	108	58	39	30
TC/US/009	38	5500	0.55	144	120	66	48	24
TC/T/010	44	4400	0.63	160	132	71	49	34
TC/S/011	45	4300	0.77	164	133	75	51	31
TC/R/012	44	4200	0.98	176	147	71	53	41
TC/Q/013	50	3750	1.54	188	145	80	53	39
TC/P/014	55	3200	2.1	212	155	95	56	43
TC/O/015	70	2750	3.1	240	173	118	62	49
TC/N/016	85	2700	4.2	270	181	140	80	45
TC/M/017	90	2600	6.6	280	215	145	76	63
TC/L/018	95	2550	8.4	310	195	154	90	15
TC/K/019	100	2450	11.0	316	202	159	95	10
TC/J/020	125	2200	16.8	370	225	203	110	6
TC/I/021	125	2000	21.0	370	240	203	115	10
TC/H/022	140	1700	33.6	412	256	237	118	20
TC/G/023	140	1600	52.0	448	280	230	125	30
TC/F/024	170	1300	75.2	530	282	315	128	26
TC/E/025	145	1250	98.1	546	365	260	147	71
TC/D/026	195	1080	117.1	630	457	387	203	51
TC/C/027	ON ENQ.	960	138	746				ON ENQUIRY
TC/B/028	ON ENQ.	960	173	746				ON ENQUIRY

### (TC-Series)

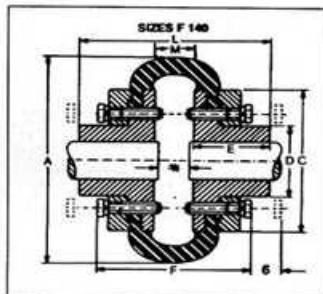
### Minimum Information Required While Sending Enquiry/Order

1. Motor H.P. rating i.e. 15 or 60 H.P. & so on.
2. R.P.M. at which coupling is to run i.e. 650 or 1400 & so on.
3. Bore size in mm i.e. 9 or 15 mm & so on.
4. Coupling Type i.e. TC series or F series or PH series.
5. Machine type.
6. Quantity in nos.

### SECTIONAL VIEW (TC-SERIES)



Upto Size TC/M/017



From Size TC/L/018 & onwards



G\* is the amount by which clamping screws need to be withdrawn to release tyre.

M\*\* is the distance between flanges.

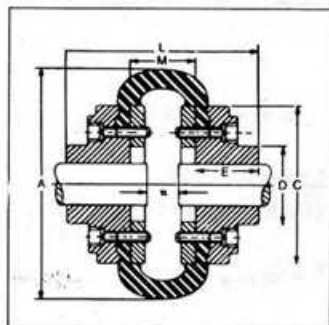
Normally shaft ends may be kept M distance apart, however, they can be kept at larger distance apart. Care being taken that sufficient shaft keyway length is covered by the Hub. The shaft length can also be brought nearer each other keeping in mind the end-play between the shafts to avoid chattering.

### Dimension Details

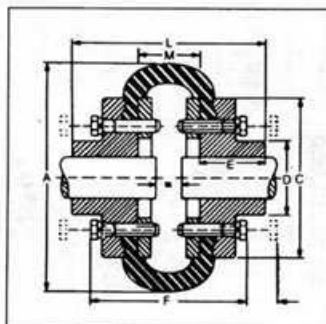
Size	Bore		A mm	L mm	D mm	E mm	C mm	G* mm	M** mm	F mm	Power per 100 REV./MIN. KW.	Power per 100 REV./MIN. H.P.	Max. Speed REV./MIN.
	Min. mm	Max. mm											
F-40	13	30	104	66	—	22	82	43	22	—	0.20	0.26	4400
F-45	13	32	120	74	—	25	94	43	24	—	0.35	0.46	4400
F-50	18	38	133	89	79	32	100	43	25	—	0.50	0.67	4400
F-60	18	48	165	109	73	38	125	43	33	—	1.05	1.40	3900
F-70	20	55	197	130	82	45	144	10	40	101	1.60	2.14	3600
F-80	26	65	211	145	95	51	167	10	43	106	2.55	3.41	3000
F-85	32	70	222	150	103	53	179	13	44	107	3.10	4.15	2900
F-90	32	76	235	160	110	57	188	13	46	119	3.75	5.02	2800
F-100	32	85	254	168	124	60	216	13	48	123	5.19	6.95	2500
F-110	32	90	279	174	134	65	233	14	44	127	7.32	9.80	2200
F-120	39	102	314	201	152	76	264	14	49	140	12.20	16.34	2000
F-140	76	120	359	211	195	89	311	14	24	152	19.20	25.72	1700
F-160	75	140	402	234	216	102	345	19	30	156	32.10	43.01	1500
F-180	75	175	470	274	266	114	398	19	46	188	57.00	76.38	1400

## TYRE COUPLINGS

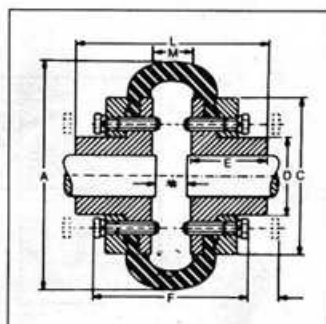
### SECTIONAL VIEW (F-SERIES)



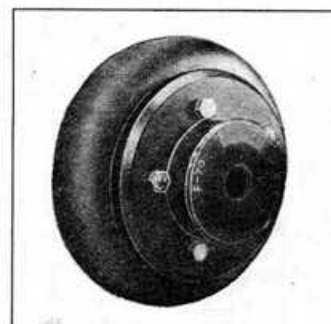
From Size F40 to F60



From Size F70 to F120



From Size F 140 & onwards



### Dimension Details

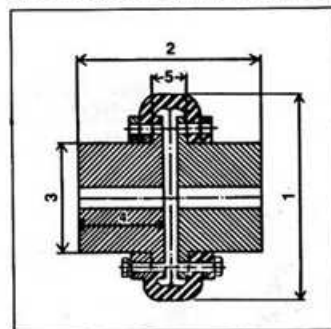
### (PH-Series)

Size	Max. Bore mm (Dim 6)	Max Speed RPM	Rating		Approx. Dimension (mm)				
			Torque Kg.M.	H.P./100 RPM	Tyre O.D. (1)	Coupling Length (2)	Hub dia (3)	Flange Length(4)	Gap Between Two Flanges(5)
PH-34	10	7000	Nominal	Nominal	34	34	14	16	6
PH-40	12	7000	-do-	-do-	40	40	17	19	8
PH-46	15	6500	0.87	0.12	46	40	22	19	8
PH-56	18	6000	1.08	0.15	56	48	26	22	11
PH-66	25	6000	1.52	2.21	66	54	36	25	11
PH-76	27	6000	1.81	0.25	76	66	39	30	14
PH-86	34	6000	2.90	0.40	86	76	49	35	14
PH-96	36	5500	3.62	0.50	96	76	51	35	16
PH-106	38	5500	4.35	0.60	106	76	54	35	18
PH-116	42	5500	5.43	0.75	116	88	60	40	22
PH-126	48	5500	9.00	1.25	126	88	68	40	22
PH-140	50	5500	12.70	1.75	140	100	72	46	26
PH-160	57	5000	16.40	2.25	160	108	82	50	28
PH-178	60	4500	22.0	3.00	178	128	100	60	32
PH-190	65	4000	29.0	4.00	190	146	105	70	30
PH-218	75	3500	43.5	6.00	218	160	124	75	36
PH-250	80	3000	62.0	8.50	250	192	145	90	40
PH-272	100	2750	80.0	11.00	272	205	163	90	55
PH-292	105	2600	109	15.00	292	228	168	105	47
PH-316L	90	2500	174	24.00	316	195	150	90	47
PH-316H	115	2500	174	24.00	316	245	190	115	47
PH-342L	90	2250	232	32.00	342	195	150	90	53
PH-342H	120	2250	232	32.00	342	255	198	120	53
PH-390L	100	2000	290	40.00	390	218	165	100	57
PH-390H	140	2000	290	40.00	390	298	230	140	57
PH-450L	130	1600	508	70.00	450	270	216	125	60
PH-450H	175	1600	508	70.00	450	360	286	170	60
PH-520L	150	1400	726	100	520	294	250	135	62
PH-520H	220	1400	726	100	520	384	354	180	62
PH-600	I	1300	1310	180	600				
PH-672		1100	1960	270	672				
PH-725		950	2900	400	725				
PH-812		850	4356	600	812				
PH-1000		750	6534	900	1000				
PH-1100		650	8712	1200	1100				
PH-1175		550	10890	1500	1175				
PH-1250	I	500	14520	2000	1250				

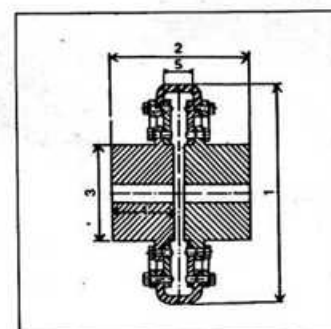
AS REQUIRED

TO SUIT REQUIREMENT

### SECTIONAL VIEW (PH-SERIES)



Upto Size PH-520



For Sizes PH-600 to PH-1250